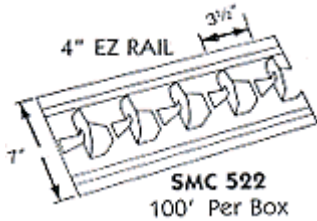


2" Push Type Side Rails (SMC 322)

2" Push Type Side Rails

Made from 22 Gauge G-60 or better Galvanized Steel. Rail measures 4 1/2" wide and the spacing between vanes is 2 1/2" center to center.

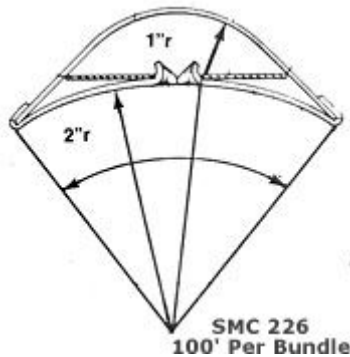


4" Push Type Side Rails (SMC 522)

4" Push Type Side Rails

Made from 22 Gauge G-60 or better Galvanized Steel. Rail measures 7" wide and the spacing between vanes is 3 1/2" center to center.

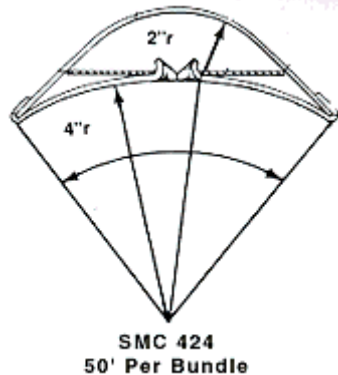
U.S. Pat. No 4,467,829



2" Hollow Turning Vanes (SMC 226)

2" Dimpled Turning Vanes

Made from 26 Gauge G-60 or better Galvanized Steel.



4" Hollow Turning Vanes (SMC 424)

4" Dimpled Turning Vanes

Made from 24 Gauge G-60 or better Galvanized Steel.